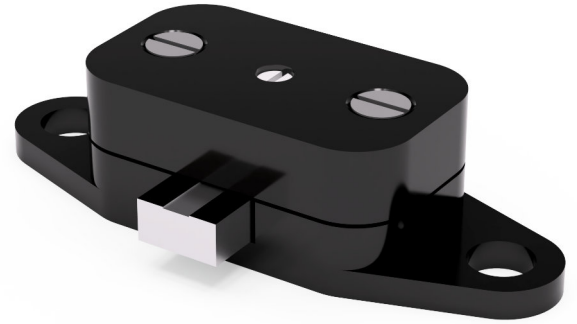


Highly compact design based on SMA technology  
 No switching noise  
 Nominal width 0.75 mm  
 Switching pressure up to 4 bar



### Highly compact miniature valve for demanding fluidics

Modern microfluidic applications require powerful and energy-efficient miniature valves, which are integrated into an ever-smaller installation space. Here, conventional technologies such as solenoid valves are increasingly reaching their limits. Based on latest shape memory actuation, highly compact miniature valves from memetis are characterized by strongly reduced dimensions, without compromising the performance.

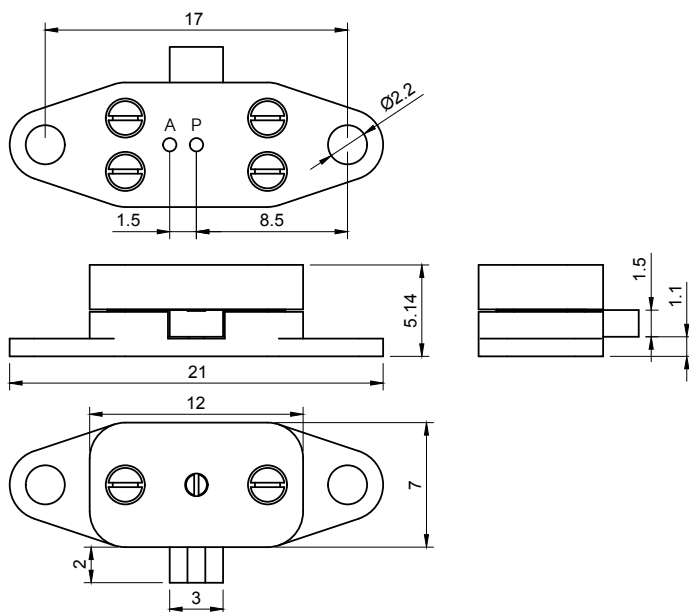
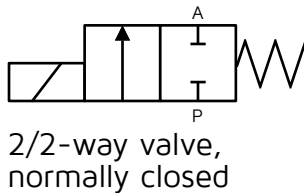
Normally open miniature stop valves from memetis can be used up to a pressure of 4 bar. State-of-the-art fatigue-free shape memory alloys ensure quiet operation as well as long service life with up to 1 million switching cycles.

#### Contact:

Phone: +49 721 608 22753  
 Email: team@memetis.com

memetis GmbH  
 Herrmann-von-Helmholtz-Platz 1  
 76344 Eggenstein-Leopoldshafen

### We have piqued your interest? Contact us!



Nominal width:	0,75 mm
Pressure range:	max. 4 bar
Housing material:	PMMA, PEEK
Sealing material:	EPDM, FKM
Chemical resistance:	Test on request
Fluid temperature:	10 - 40 °C
Ambient temperature:	0 - 40 °C
Lifespan:	1,000,000 cycles
Internal volume	
Fluid chamber:	0.5 µl
Total:	1.1 µl
Fluid Connection:	Flange
Electrical connection:	Soldering pads
Operating voltage:	<5 V, Control
Mounting position:	Any
Switching time closing:	100 ms
Switching time opening:	10 ms
Switching frequency:	max. 5 Hz
Switching noise:	< 20 dB